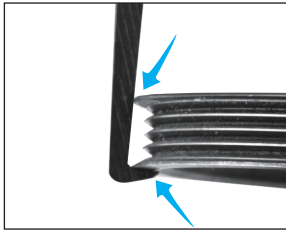


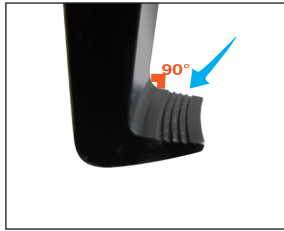


# 2-JAW PULLER

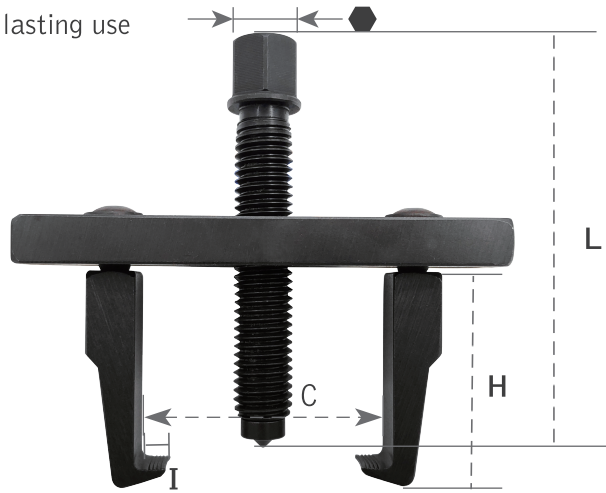
- Raw material: CR-M0
- Finishing: Manganese Sunk
- Features:
  - . Tensile strength of more than 1.5 tons
  - . Heavy-duty clamp, gear and body structure for long lasting use



**100% Contact:**  
Claws hold gear/bearing with 100% contact between surfaces



**Grip:**  
Grooved claw design enables tight non-slip grip



CHILI	C mm	H mm	I mm	L mm	⌀I mm	Max. Ton	kg	📦/📦
MP1090-55	20-90	55	8	100	17	1.5 ↑	0.56	1/20
MP1090-100	20-90	100	8	150	17	1.5 ↑	0.72	1/20
MP10200-55	20-200	55	8	100	17	1.5 ↑	0.8	1/20
MP10200-100	20-200	100	8	150	17	1.5 ↑	0.95	1/20

Packing way : carton